

# SPECIFICATION

受 控

Customer : QUARTZ-1

Applied To :

Product Name : Piezo Siren

Model Name : KPS-G1510-K1043



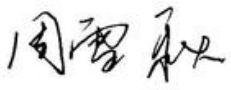
Drawing No. : KTC1043R

Compliance with ROHS (本品符合ROHS指令)

Signature of Approval

--

Signature of KEPO

Approved by	Checked by	Issued by	Date
			

宁波凯普电子有限公司



Ningbo Kepo Electronics Co.,Ltd.

宁波东钱湖镇东钱湖工业区宝源路 25 号

TEL:+86-574-88370330 FAX:+86-574-88370329

No.25 Baoyuan road Dongqian Lake, Industry Area, Dongqian town, Ningbo City, China(Post Code:315121)

[Sales@chinaacoustic.com](mailto:Sales@chinaacoustic.com)

[www.chinaacoustic.com](http://www.chinaacoustic.com)

Specification for Piezo Siren	Page	2/8
	Revision No.	1.0
	Drawing No.	KTC1043R
Model No. : KPS-G1510-K1043		

## CONTENTS

1. Scope  
范围
2. General  
概要
3. Maximum Rating  
额定极限条件
4. Electrical Characteristics  
电性能
5. Measuring Method  
测试方法
6. Reliability Test  
可靠性试验
7. Packaging Standard  
包装标准
8. Dimensions  
尺寸
9. Revision  
履历表

Specification for Piezo Siren	Page	3/8
	Revision No.	1.0
	Drawing No.	KTC1043R
Model No. : KPS-G1510-K1043		

## 1. 范围 Scope

This product specification is applied to the siren used for sounder in alarm systems. Please contact us when using this product for any other applications than described in the above.

本规格书适用于报警器，通常它用在系统中做报警或提示，如果将该产品用于其它领域，请与我们联系。

## 2. 概要 General

2.1 Length:	66.5mm
长度:	66.5 mm
2.2 Width:	54.5 mm
宽度:	54.5 mm
2.3 Height	51 mm
高度:	51 mm
2.4 Weight:	80± 5 g.
重量:	80± 5克
2.5 Case Material/Color	ABS/Black
壳体材质/颜色	ABS/黑
2.6 Wires Connection	Red +12V
引线极性	红线+12V
	Black GND
	黑线负极

## 3. 额定极限条件 Maximum Rating

	项目 Item	规格 Specification
3.1	输入电压 input Voltage	6-14VDC
3.2	工作温度范围 Operating Temperature Range	-20 ~ +60 °C
3.3	储存温度范围 Storage Temperature Range	-30 ~ +70 °C

Specification for Piezo Siren		Page	4/8
		Revision No.	1.0
Model No. :	KPS-G1510-K1043	Drawing No.	KTC1043R

## 4. 电性能 Electrical Characteristics

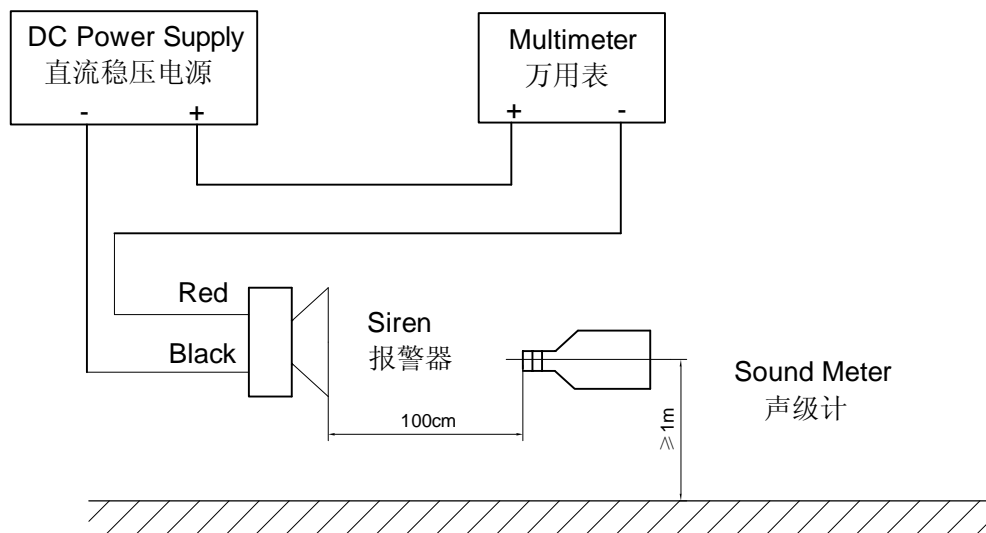
	项目 Item	规格 Specification
4.1	声压 Sound Pressure Level	105± 3dB/100cm
4.2	Max.Rated Current 最大工作电流	≤300mA
4.3	Tone Nature 音调	Siren

测试条件参见下项  
Refer to next item for measuring method.

## 5. 测试方法 Measuring Method

### 5.1 声压测试线路 S.P.L. Measuring Circuit

输入信号:12VDC  
Input Signal:12VDC



1.The red lead wire connect anode of DC power ,The black lead wire connect cathode of DC power would make "continuous" sound.

红线连接到电源正极，黑线连接到电源负极，将发出连续音报警声。

### 5.2 测试环境 Measuring Condition

Test condition : 15 ~ 35 °C, 25% ~ 85% RH, 860~1060 mbar

测试条件: 15~35 °C, 25%~85%RH, 860~1060mbar

Specification for Piezo Siren		Page	5/8
		Revision No.	1.0
Model No. :	KPS-G1510-K1043	Drawing No.	KTC1043R

## 6. 可靠性试验 Reliability Test

After test(1~6item), the Piezo Siren SOUND METER OR EQUIVALENT . difference shall be within  $\pm 10\text{dB}$ , and the appearance not exist any change to be harmful to normal operation(e.g.cracks,rusts,damages and especially distortion).

在1-6项试验后，报警器的声压变化值在  $\pm 10\text{dB}$  之内，外观无变化（例如：开裂、生锈、损伤、变形等现象）。

	Item	Specification
1	High Temperature Test 高温试验	<p>After being woked in a chamber with <math>+70\pm 2\text{ }^{\circ}\text{C}</math> for 2h and then being placed in natural condition for 2h, sounder shall be measured.</p> <p>将产品置于 <math>+70\pm 2\text{ }^{\circ}\text{C}</math> 试验箱中，先工作 2小时，然后在正常大气压条件下恢复2小时后，进行测量</p>
2	Low Temperature Test 低温试验	<p>First being worked in a chamber with <math>-30\pm 2\text{ }^{\circ}\text{C}</math> for 2h and then being placed in a chamber with <math>-30\pm 2\text{ }^{\circ}\text{C}</math> for 16h, finally being placed in natural condtion for 2h, sounder shall be measured.</p> <p>将产品置于 <math>-30\pm 2\text{ }^{\circ}\text{C}</math> 试验箱中，先工作 2小时，再放置16小时，然后在正常大气压条件下恢复2小时后，进行测量</p>
3	Humidity Test 潮湿试验	<p>After being placed in a chamber with 90 to 95%R.H. at <math>+40\pm\text{ }^{\circ}\text{C}</math> for 2 h and then being placed in natural condition for 2h , sounder shall be measured.</p> <p>将产品置于湿度为 90-95%R.H，温度为 <math>40\pm 2\text{ }^{\circ}\text{C}</math> 试验箱中 2小时，然后在正常大气压条件下恢复2小时后，进行测量</p>
4	Shock 耐冲击性	<p>Under acceleration of peak <math>100\text{m/s}^2(10\text{g})</math> &amp; half sine wave pulse (pulse time is 16ms)condition.run into product 1000 times continuously.</p> <p>峰值加速度 <math>100\text{m/S}^2(10\text{g})</math>,脉冲持续时间为16ms的半正弦波脉冲对试样连续碰撞1000次，测试报警器。</p>

Specification for Piezo Siren		Page	6/8
		Revision No.	1.0
Model No. : KPS-G1510-K1043		Drawing No.	KTC1043R

	Item	Specification
5	Drop Test 跌落试验	Siren packed in the carton are dropped in six direction from the height of 50cm to the concrete floor. 跌落高度50cm,6个不同方向整箱跌落到水泥地, 试验后进行测量.
6	Vibration Resistance 振动试验	Siren shall be measured after being applied vibration of amplitude of 1.5mm with 10to 30Hz band of vibration frequency to each of 3 perpendicular directions for 2 hour. 振幅为1.5mm, 频率为10-30Hz,三个不同轴方向各振动2小时, 试验后进行测量.

表 1 Table 1

项 目 Item	试验后变化量 Specification after test
声压级 Sound Pressure Level	初始值± 10dB Initial Value ± 10dB

## 7. 包装标准 Packaging Standard

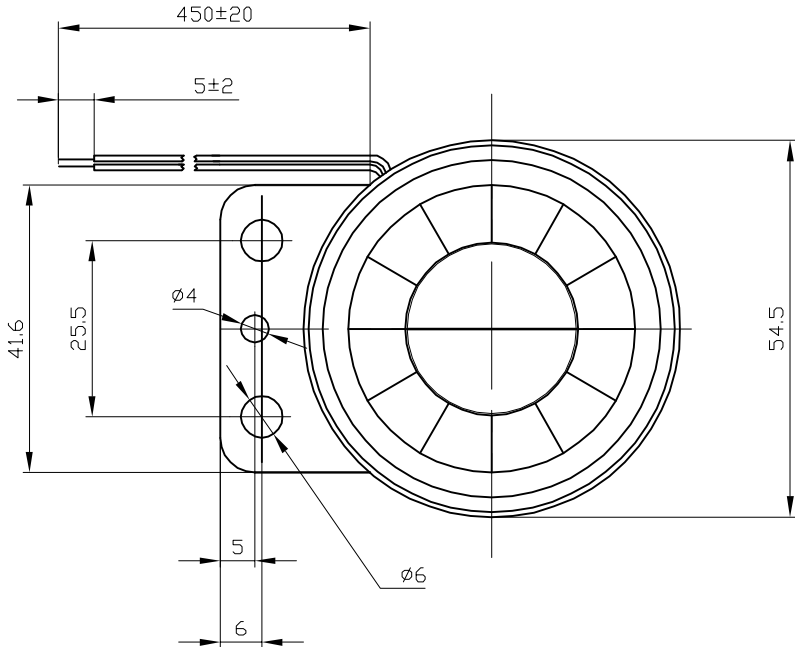
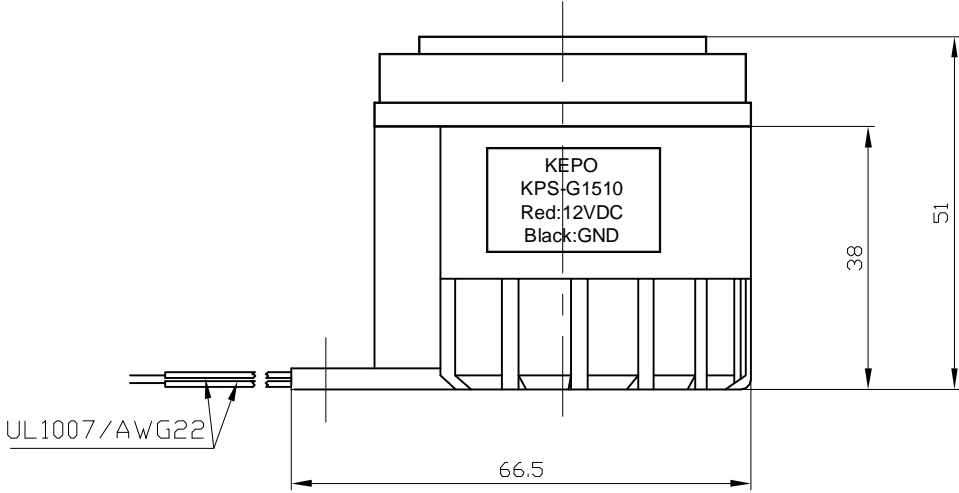
产品的外包装是纸箱,它应该清楚的标明型号,数量,出厂检验批号.  
在运输及储存的过程中,产品必须不会受到机械损伤.

Each minimum package unit of products shall be in a carton box and it shall be clearly marked with Part Number, quantity and outgoing inspection number.

There shall be no mechanical damage on products during transportation and/or in storage.

Specification for Piezo Siren	Page	7/8
	Revision No.	1.0
Model No. : KPS-G1510-K1043	Drawing No.	KTC1043R

### 8. Dimensions



FIRST ANGLE PROJECTION



UNIT : mm  
Tolerance : ±0.5

